



### Features:

- \* Universal AC Input
- \* Small Desktop package
- \* Very Low Profile
- \* 2 Pin AC Input Connector (No Ground Required)
- \* Worldwide Safety Approvals
- \* EN55022 & FCC Class B Emissions
- \* CE Mark

### Input

Input Voltage	Universal (90-264 VAC)
Input Frequency	47-63Hz
Inrush Current	30A Max
Input Current	1.0 @ 115 VAC / 0.5A @ 230 VAC Max
Hold-Up Time	8ms @ 115 VAC / 50ms @ 230 VAC Full Load

### General

Efficiency	85% Typ.
Switching Frequency	90KHz
Operating Temperature	0 to 40°C full load, derate 5% per °C to 50°C max.
Storage Temperature	-20°C to +85°C
Cooling	Convection
Temp Co-Efficient	0.04% per °C
Topology	Fixed frequency flyback circuit

### Output

Minimum Load	n/a
Line Regulation	±0.1% typ.
Load Regulation	±3 - 5% typ.
Ripple & Noise	±1% typ. pk-pk @ 20MHz
Overload Protection	125-150%, Auto-recovery (custm settings upon request)
OverVoltage Protection	Zener Diode Clamp
Adjustment	Fixed
Transient Response	voltage returns < 3mS following a 50% load change

### EMC & Safety

Emissions EN55022 "B", FCC Class B

Safety Approvals UL/cUL60950-1  
EN60950-1  
CE Mark (LVD)

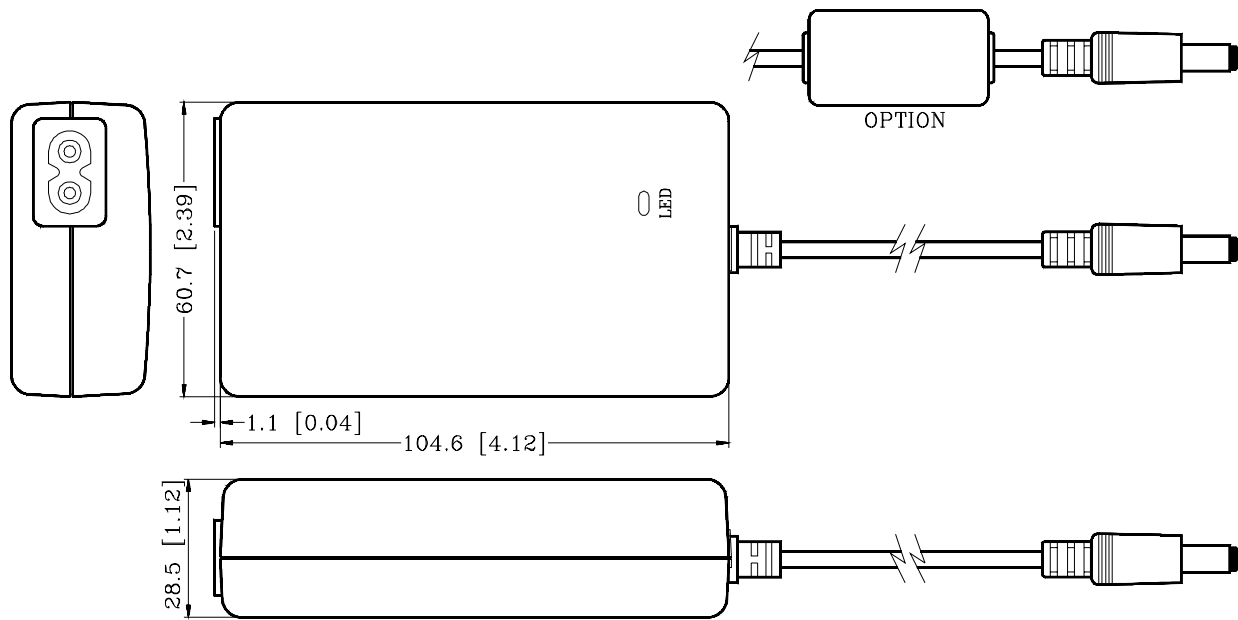


### Model Number

### Output

APS51ES-09050	9.0 Vdc @ 5.0A
APS51ES-12040	12.0 Vdc @ 4.0A
APS51ES-15034	15.0 Vdc @ 3.4A
APS51ES-16031	16.0 Vdc @ 3.1A
APS51ES-18028	18.0 Vdc @ 2.8A
APS51ES-19630	19.6 Vdc @ 3.0A
APS51ES-24021	24.0 Vd @ 2.1A
APS51ES-30017	30.0 Vdc @ 1.7A

*Mechanical Details*



*Notes*

WEIGHT: 185g (6.53 Oz.)

Standard Output Cable Length is 6 feet

See Output Connector Chart for standard output connector options