



Size: 5.00 x 2.36 x 1.00"

Input

Input Voltage	90-264 VAC
Input Frequency	47-63Hz
Inrush Current	20A Max @ 230 VAC Cold Start
Input Current	0.3A @ 115 VAC / 0.15A @ 230 VAC Typical
Hold-Up Time	14ms @ 115 VAC / 50ms @ 230 VAC Full Load
Leakage Current	<600 μ A @ 230 VAC

Output

Minimum Load	20% of V1 only
Line Regulation	$\pm 0.1\%$ typ.
Load Regulation	V1 = $\pm 3\%$ typ. / V2-4 = $\pm 5\%$ typ
Ripple & Noise	$\pm 1\%$ typ. pk-pk @ 20MHz
Overload Protection	Consult Factoru for OLP setpoint
OverVoltage Protection	V1 Zener Diode
Adjustment	V1 only, $\pm 10\%$
Transient Response	voltage returns < 3mS following a 25% load change

Features:

- * Universal AC Input (90-264 VAC)
- * Quad Outputs
- * Power Good Signal
- * Small Open Frame Package
- * Worldwide Safety Approvals
- * EN55022 & FCC Class B Emissions
- * CE Mark

General

Efficiency	70% Typ.
Switching Frequency	40KHz
Operating Temperature	0 to 50°C full load, derate 2.5% per °C to 70°C max.
Storage Temperature	-20°C to +85°C
Cooling	Free Air Convection
Temp Co-Efficient	0.04% per °C
Topology	Fixed Frequency Flyback
Power Good Signal	Available on V1 Only

EMC & Safety

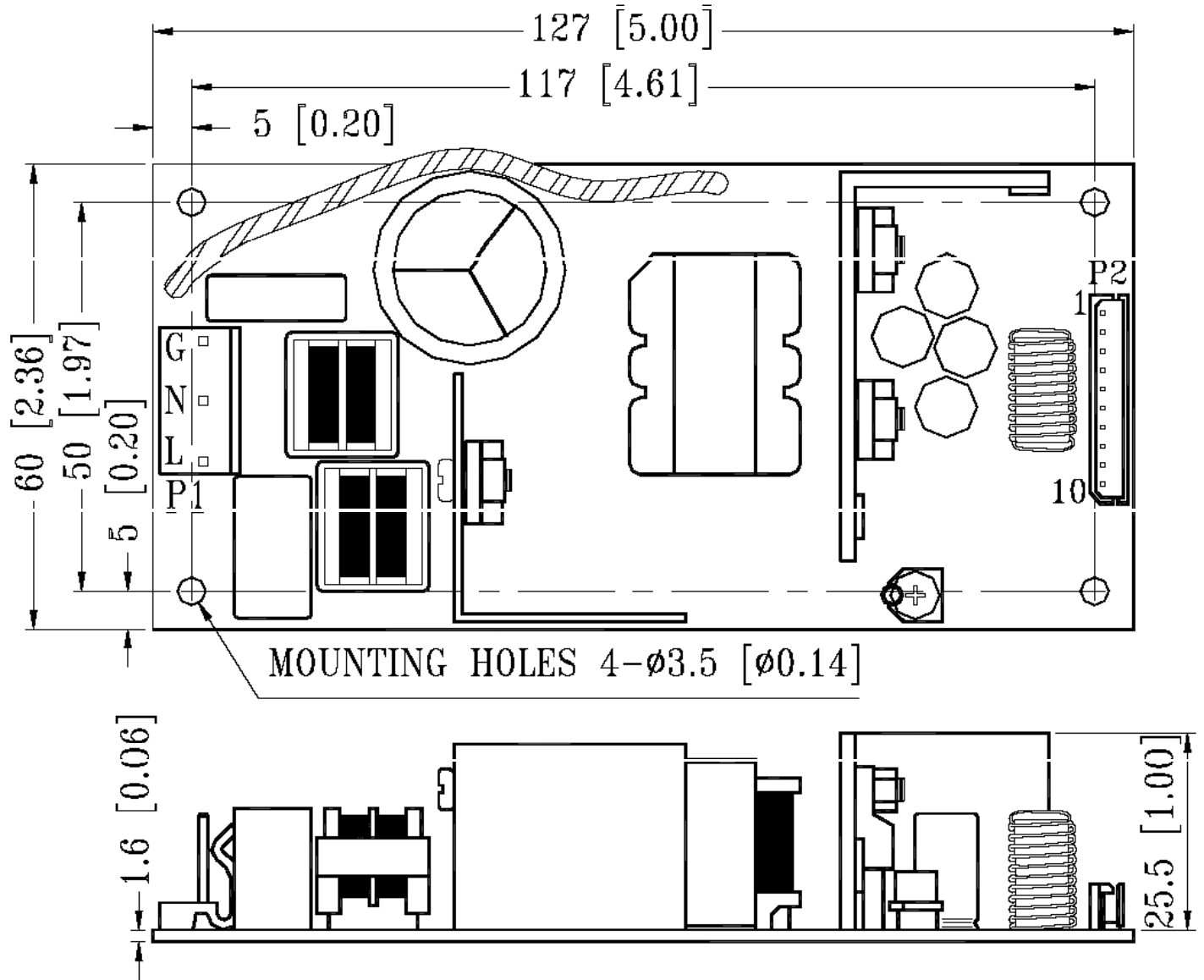
Emissions EN55022 "B", FCC Class B

Safety Approvals UL/cUL 1950
TUV EN60950
CE Mark (LVD)

**Model Number****Outputs**

APS14VIQ-033EKK	+3.3V @ 2.5A / +5.0V @ 0.3A / +15V @ 0.06A / -15V @ 0.06A
APS14VIQ-033EII	+3.3V @ 2.5A / +5.0V @ 0.3A / +12V @ 0.08A / -12V @ 0.08A
APS14VIQ-033EIE	+3.3V @ 2.5A / +5.0V @ 0.3A / +12V @ 0.08A / -5V @ 0.20A
APS14VIQ-050DKK	+5.0V @ 2.0A / +3.3.0V @ 0.5A / +15V @ 0.06A / -15V @ 0.06A
APS14VIQ-050DII	+5.0V @ 2.0A / +3.3.0V @ 0.5A / +12V @ 0.08A / -12V @ 0.08A
APS14VIQ-050DIE	+5.0V @ 2.0A / +3.3.0V @ 0.5A / +12V @ 0.08A / -5V @ 0.20A

Add Suffix "-G" for Gaming Applications
(< 500uA Leakage Current & Class A Emissions)

Mechanical Details**Notes**

WEIGHT: 151g (5.32Oz)

INPUT & OUTPUT CONNECTORS PIN ASSIGNMENT:

INPUT: AC LINE = P1-L / AC NEYRAL = P1-N

OUTPUT: V1=P2-1, 2 / V2=P2-5 / V3=P2-6 / V4=P2-7 / COMM=P2-3,4,8 / POWER GOOD = P2-9 / NC = P2-10

Mating connector: P1 Molex 5195, P2 Molex 5264