



Features:

- * Universal AC Input
- * Active Power Factor Correction
- * ATX12V 2.01 Compliant
- * Worldwide Safety Approvals
- * EN55022 & FCC Class B Emissions
- * CE Mark

Input

Input Voltage Universal (90-264 VAC)
 Input Frequency 47-63Hz
 Inrush Current 50A Max @ 100 VAC / 100A Max @ 230 VAC
 Input Current 12A @ 115 VAC / 6A @ 230 VAC Max
 Hold-Up Time 16ms minimum
 Harmonic Current EN61000-3-2 Class D

General

Efficiency 72% Typ.
 Switching Frequency 62KHz
 Operating Temperature 0 to 30°C 100% Load / 30-40°C 90% Load / 40-50°C 80% Load
 Storage Temperature -20°C to +80°C
 Cooling Two Ball bearing fans for cooling
 Temp Co-Efficient 0.04% per °C

Output

Line Regulation 1% typ.
 Load Regulation 5% typ. all outputs (except -12V = 10%)
 Ripple & Noise 75mv for 3.3 & 5V / 150mv for 12V outputs
 Overload Protection >110-150% of rated load
 OverVoltage Protection +5V onl (Triggers 5.6 ~ 6.2 VDC)
 Transient Response voltage returns < 1mS following a 25% load change
 Power Good Signal Open Collector TTL Compatible +5V / 500uA

EMC & Safety

Emissions EN55022 "B", FCC Class B

Safety Approvals UL/cUL60950-1
 EN60950-1
 CE Mark (LVD)



Model Number

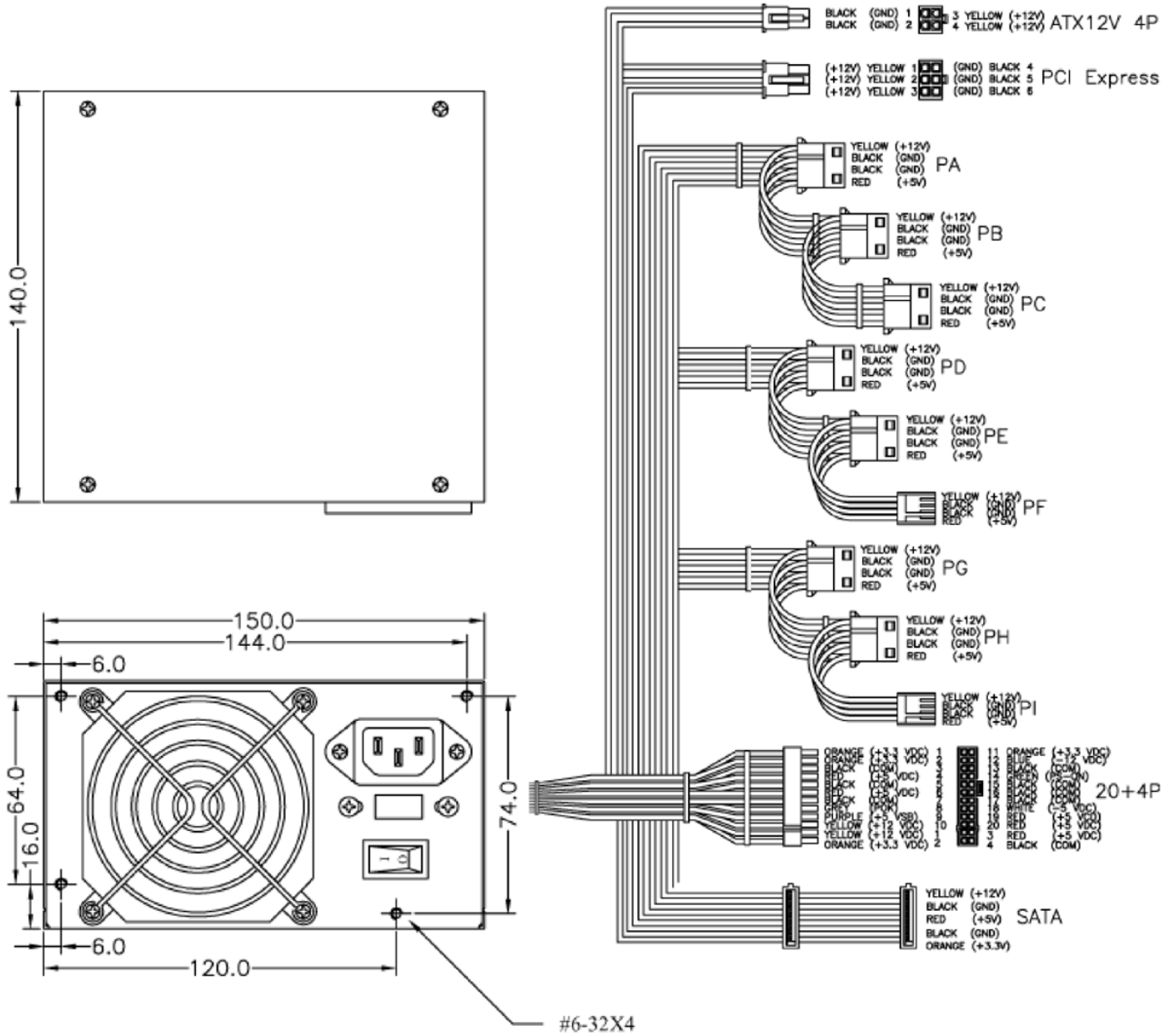
Output

Model Number	VDC	Min Load	Max Load	Peak Load
AP-600X	+3.3 V	0.5A	30A	-
	+5 V	0.5A	50A	-
	+12V1	1A	20A	-
	+12V2	1A	20A	-
	-12V	0A	1A	-
	5VSB	0A	2.5A	3.0A

Note:

- 1) Combined Load on +3.3V & +5.0V shall not exceed 300 Watts.
- 2) Combined Load on +12V1 & +12V2 shall not exceed 470 Watts
- 3) Combined load of +3.3V, +5.0V, +12V1 & +12V2 shall not exceed 575.5 watts.
- 4) Total Output Power Not to exceed 600 Watts

Mechanical Details



Notes