

## MPM-X120 SERIES:



### 120 Watt Medical Desktop Switcher

- 6.89 x 3.54 x 2.02" Desktop Package

#### Features:

- Type BF Rated for Patient Contact Applications
- Universal AC Input with Active PFC
- Level V Efficiency
- Optional Strain Relief for AC Cord
- Class B Emissions
- 2 Year Warranty

#### INPUT:

Input Voltage	Universal Input (90~264 VAC)
Input Frequency	47-63Hz
Inrush Current	50A @ 240 VAC Cold Start
Input Current	2A @ 264 VAC (max)
Input Protection	Dual Fuse
Hold-Up Time	16mS minimum
Leakage Current	150µA max

#### GENERAL:

Efficiency	90% Typical
Operating Temperature	0-40°C Full Load (derate 5%/°C up to 50°C max)
Storage Temperature	-20°C to +85°C
Over-Temp Protection	Included
Cooling	Convection
Operating Humidity	10-90% RH, Non-Condensing
Vibration	5 ~ 50 Hz, acceleration 7.35 m/s <sup>2</sup> on X,Y and Z Axis

#### OUTPUT:

Adjustment Range	Set at Factory
Minimum Load	None
Regulation	See Output Table
Ripple & Noise	See Output Table
Overload Protection	Auto-Recovery
Over Voltage	Auto-Recovery
Short Circuit Protection	Trip without damage & auto-recovery

#### EMC:

Electrostatic Discharge	EN61000-4-2, ±4KV Contact / ±8KV Air Discharge
Radiated Susceptibility	EN61000-4-3, 26-1000MHz, 10V/M, 80% AM
EFT / Bursts	EN61000-4-4, ±2KV
Surges	EN61000-4-5, ±2KV Line-Earth, ±1KV Line-Line
Conducted Immunity	EN61000-4-6, 0.15-800MHz, 10V, 80% AM
Voltage Dips	EN61000-4-10, 95% Dip & 10ms, 30% Dip & 500ms
Voltage Interruptions	EN61000-4-11, 95% reduction, 5s
Fluctuations & Flicker	EN61000-3-3

#### APPROVALS:

Emissions	EN55011 / EN55022 "B" FCC Part 15 Subject J Class B
-----------	--

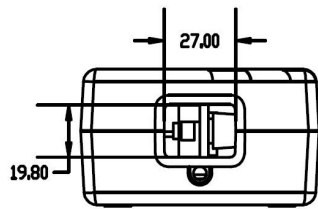
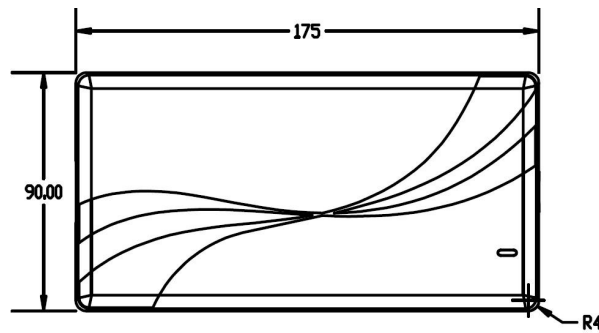
Safety Approvals	UL 60601-1 1st Edition EN / IEC 60601-1 2nd & 3rd Editions PSE J60950 IEC 6090-1 CCC GB4943-2001 CE Mark (LVD)
------------------	---

## MPM-X120 SERIES:

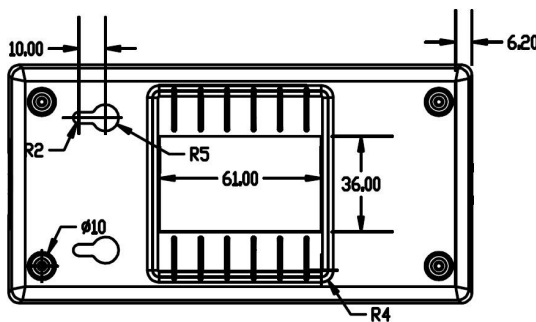
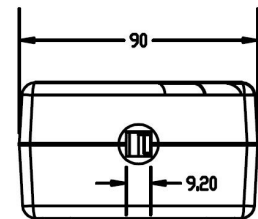
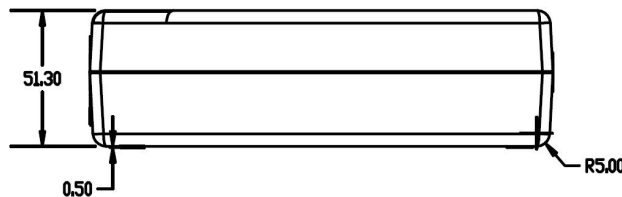
**Output Specifications:**

Model Name	Output Voltage	Min. Output Current	Rated Output Wattage	Rated output current	Line Regulation	Load Regulation	Ripple & Noise p-p	Initial Setting Accuracy
<b>MPM-X123</b>	+12-13.8V	0A	120W	10-8.6A	±1%	3%	120mV	2%
<b>MPM-X124-1</b>	+19-20V	0A	120W	6.3-6A	±1%	2%	190mV	2%
<b>MPM-X125</b>	+24V	0A	120W	5A	±1%	2%	200mV	2%
<b>MPM-X125-1</b>	+36V	0A	120W	3.3A	±1%	3%	240mV	2%

Note: 1) suffix "-G" means Optional removing Y capacitor between input ground to output return ground.



Consult APS for available DC Cable & Connector options.



**Parameter**

Strain Relief Kit  
(P/N 747-SWPL-2F)

**Conditions/Description**

Tighten the AC power cord to the adapter.

