

## MPM-0200 SERIES:



### 200 Watt Medical Power Supply

- 5.00 x 3.00 x 1.49" Open-Frame

#### Features:

- Type BF Rated Medical Safety Approvals
- Universal AC Input with Active PFC
- 120 Watts Convection Cooled Operation
- High Efficiency up to 90%
- <0.5W No-Load Input Power
- Optional 5VSB & Remote On/Off Control
- 2 Year Warranty

#### INPUT:

Input Voltage	Universal Input (90~264 VAC)
Input Frequency	47-63Hz
Inrush Current	60A @ 240 VAC Cold Start
Input Protection	Dual Fuse
Hold-Up Time	16mS minimum
Leakage	150µA max

#### GENERAL:

Efficiency	90% Typical
Operating Temperature	0-50°C Full Load (derate 2.5%/°C up to 70°C max)
Storage Temperature	-20°C to +85°C
Over-Temp Protection	Included
Cooling	23.5 CFM for full load, 120W Convection)
Operating Humidity	10-90% RH, Non-Condensing
Vibration	5 ~ 50 Hz, acceleration 7.35 m/s*s on X,Y and Z Axis

#### OUTPUT:

Adjustment Range	See Output Table
Minimum Load	None
Regulation	See Output Table
Ripple & Noise	See Output Table
Overload Protection	Auto-Recovery
Over Voltage	Hiccup Mode
Short Circuit Protection	Trip without damage & auto-recovery

#### EMC:

Electrostatic Discharge	EN61000-4-2, ±4KV Contact / ±8KV Air Discharge
Radiated Susceptibility	EN61000-4-3, 26-1000MHz, 10V/M, 80% AM
EFT / Bursts	EN61000-4-4, ±2KV
Surges	EN61000-4-5, ±2KV Line-Earth, ±1KV Line-Line
Conducted Immunity	EN61000-4-6, 0.15-800MHz, 10V, 80% AM
Voltage Dips	EN61000-4-100, 95% Dip & 10ms, 30% Dip & 500ms
Voltage Interruptions	EN61000-4-11, 95% reduction, 5s
Fluctuations & Flicker	EN61000-3-3

#### STATUS & CONTROL

Remote Sense	Optional
5Vsb	Optional

#### APPROVALS:

Emissions	EN55011 / EN55022 "B" FCC Part 15 Subject J Class B
Safety Approvals	UL/cUL 60601-1, 3rd edition EN 60601-1 CB Report (IEC60601-1) 3rd edition CE Mark (LVD)

## MPM-0200 SERIES:

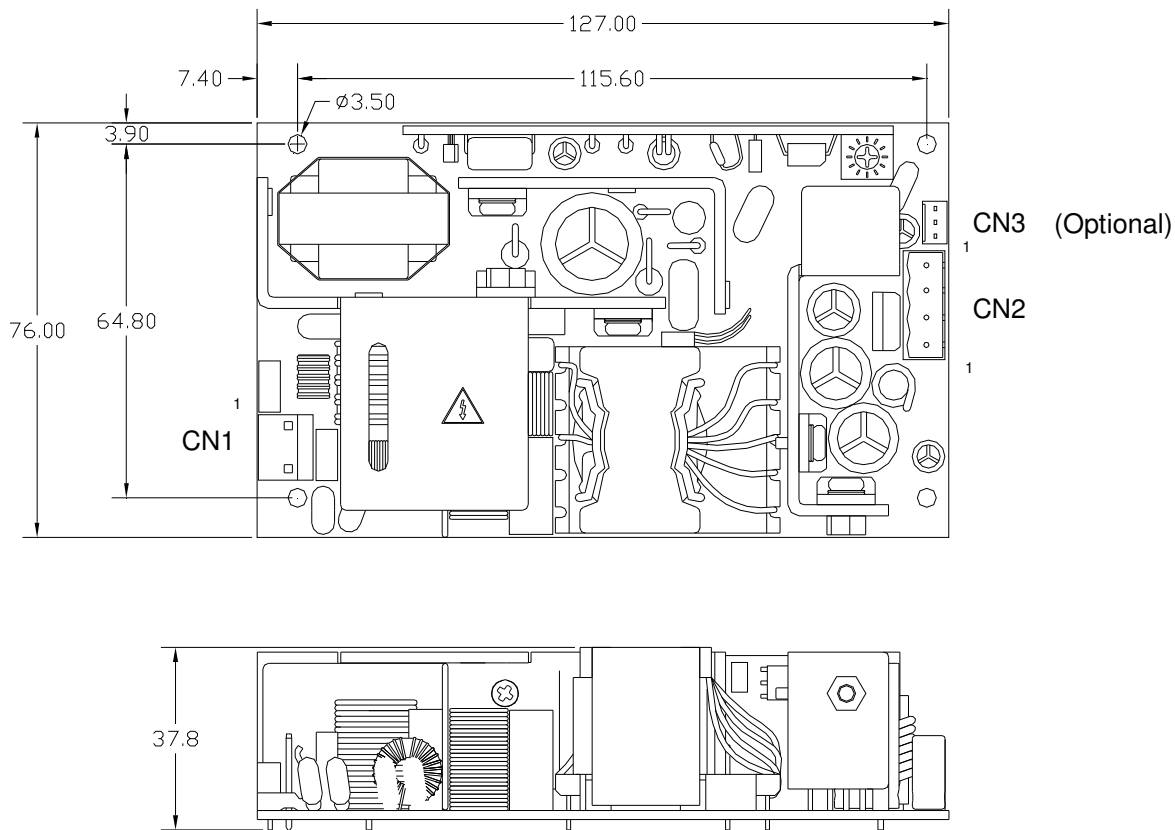
### Output Specifications:

Model Number	Output Voltage <sup>(Note 1)</sup>	Min. Output Current	Rated Output Power	Max. Output Power	Total Regulation <sup>(Note 2)</sup>	Ripple & Noise p-p <sup>(Note 3)</sup>	Initial Setting Accuracy <sup>(Note 4)</sup>
MPM-0203	+12-14V / 12V	0	120W	200W	±2%	±1%	1%
MPM-0205	+19-24V / 24V	0	120W	200W	±2%	±1%	1%
MPM-0206	+48V	0	120W	200W	±2%	±1%	1%

- Note: 1) Output voltage can be adjusted by variable resistor with nominal 12/24V which would be adjusted at factory.  
 2) Total regulation is measured a setting output voltage. Input voltage is from 90-264VAC and output from 0 to 120W.  
 3) Measured by a 20MHz bandwidth limited oscilloscope and the each output is connected with a 10µF Electrolytic Capacitor and a 0.1µF Ceramic Capacitor. Output is at rated load. For output at max. load, the ripple noise will be ± 1.5%.  
 4) Voltage setting is at nominal AC input voltage, 60% rated load and 25 C.

### 8. Option

Parameter	Conditions/Description DIMENSIONS (mm)
+5Vsb & Remote on/off	Suffix "-SB" at model name is with +5Vsb/0.1A max. and remote on/off function. The line and load regulation of the +5Vsb is 1% max.



Parameter	Conditions/Description
Dimension	127 (L) x 76.2 (W) x 37.8 (H) mm, tolerance +/- 0.4mm.
Connector	CN1 --- AC input: Molex 5273-03A withdraw 1 pin or equivalent. CN2 --- DC output: Dinkle 5EHDVC or ED500V (selection) CN3 --- DC output: Molex 5045-03A (optional)
Pin Assignment	CN1 Pin 1. L 2. N CN2 Pin 1 to 2. V+ 3 to 4. V- CN3 Pin 1 Remote on/off 2. V- 3. +5Vsb (optional)