

MDC-240 SERIES:



250 Watt LED Power Supply

- 8.66 x 2.64 x 1.57" IP65 /IP67 Enclosed Package

Features:

- Universal AC Input (90~305VAC Input Range)
- Protections : Short circuit/Over current
- Over voltage/Over temperature auto recover
- Constant current design (C.C.mode)
- 10KV Lightning Surge protect
- With active PFC function
- Multiple dimming function
- IP65/IP67 Design for indoor and outdoor used
- Suitable for LED and street lighting application
- Comply with UL,TUV,CE,FCC,CQC safety regulation
- 5 years Warranty

INPUT:

Input Voltage	Universal Input (90~305 VAC)
Input Frequency	47-63Hz
Inrush Current	80.00A @ 230 VAC max Cold Start
Input Current	2.7A _{rms} @ 115VAC / 1.4A _{rms} @ 230 VAC
Power Factor	PF>0.98 @ 115VAC, >0.95 @ 230VAC, >0.93 @ 264VAC
Total Harmonic Distortion	<10% @230VAC @ 50Hz, @ full load
Leakage Current	<0.75mA @ 277 VAC
Hold-Up	>12ms @ 115VAC Full Load

GENERAL:

Efficiency	93-94%
Operating Temperature	-20 ~ 70°C (see derating curve)
Storage Temperature	-40 ~ 85°C
Operating Humidity	10% to 95% RH, non-condensing
MTBF	220Khrs min. MIL-HDBK-217F (25°C)

OUTPUT:

Minimum Load	None
Output Current Tolerance	±0.5
Line Regulation	±1%
Output Ripple Current	±5%
Ripple & Noise	3v p-p max
Over Voltage	Latching, recycle input to reset (see output models selection table for trip points)
Short Circuit Protection	Auto-Recovery
Over Temperature Protection	70°C, ±10%

APPROVALS:

EMI	EN 55015, EN 61000-3-2, EN 61000-3-3, FCC Part18, CNS 14115, GB 17743
EMS	EN 61547, EN 61000-4-2, EN 61000-4-3, EN 61000-4-4, EN 61000-4-5, EN 61000-4-6, EN 61000-4-8, EN 61000-4-11, GB 17625.1
SAFETY	UL 8750, EN 61347-1, EN 61347-2-13, GB 19510.1, GB 19510.14
Surge	10KV(L/N-PE) & 5KV(L-N) /1.2*50μ sec

MDC-240 SERIES:

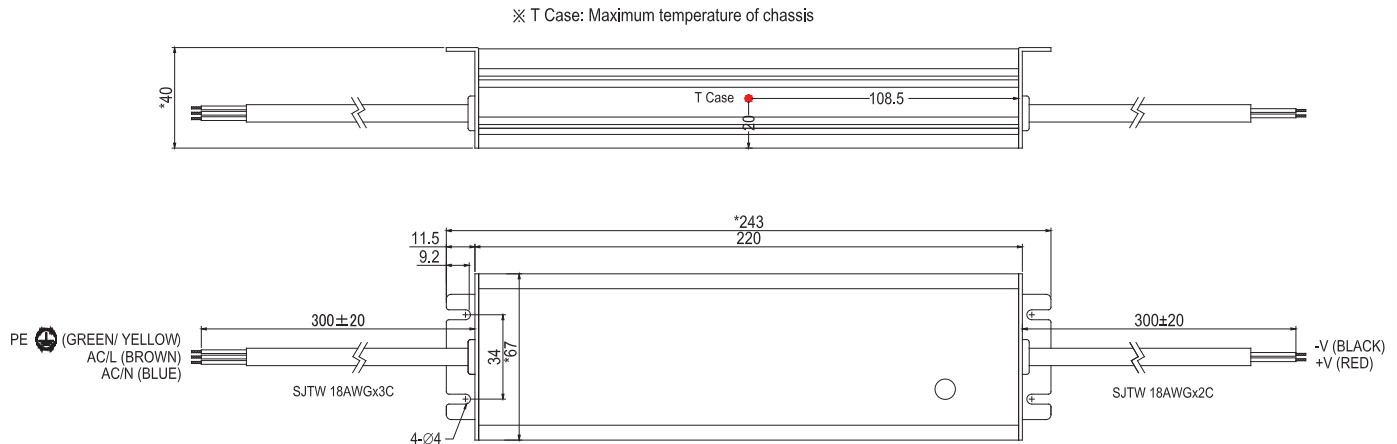
Output Specifications:

Model:	Rated Current	Current Adj. Range	Output Voltage	OVP Level	Output Power	Efficiency
MDC-240-0700x	700mA	420~700mA	200~400V	430~460V	250W	94%
MDC-240-1050x	1050mA	630~1050mA	134~267V	290~320V	250W	94%
MDC-240-1400x	1400mA	840~1400mA	100~200V	220~240V	250W	93%
MDC-240-4200x	4200mA	2520~4200mA	27~56V	65~73V	235W	93%
MDC-240-4900x	4900mA	2940~4900mA	24~49V	56~64V	240W	93%
MDC-240-5600x	5600mA	3360~5600mA	21~42V	48~55V	235W	93%
MDC-240-7000x	7000mA	4200~7000mA	18~35V	40~45V	245W	93%

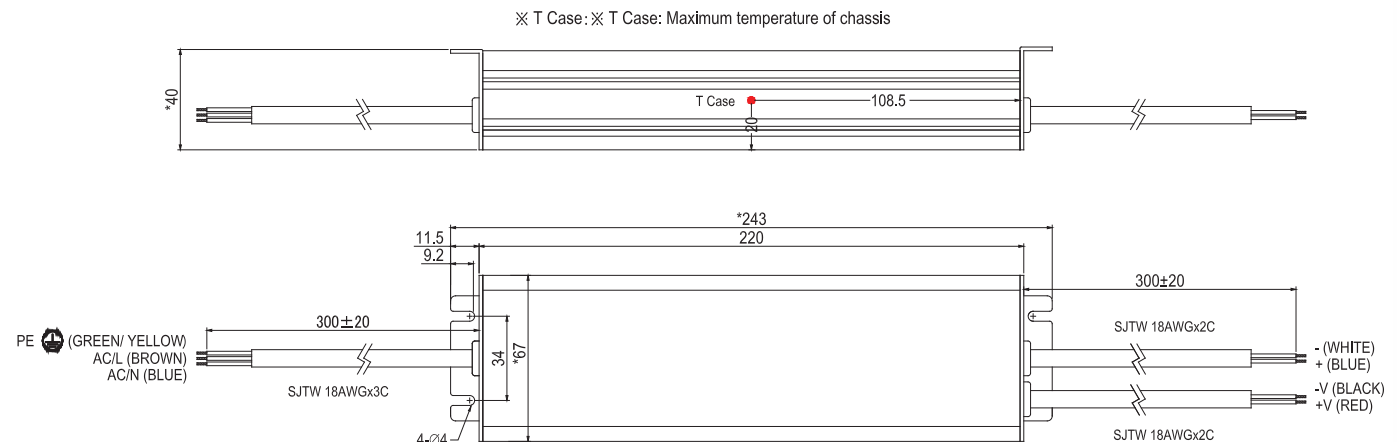
* Suffix Required to complete part number as follows:

- A suffix designates IP65 Grade, current adjustable via internal variable resistor
- B suffix designates IP67 Grade, current adjustable by 1~10 PWM Signal / Resistor

OUTLINE DRAWING (Suffix A models):



OUTLINE DRAWING (Suffix B models):



MDC-240 SERIES:

Type B Models, Resistor / V_{ADJ} / PWM Values

* 10K~100K Ω adjust output current

Resistor value	10K Ω	20K Ω	30K Ω	40K Ω	50K Ω	60K Ω	70K Ω	80K Ω	90K Ω	100K Ω	OPEN
Rated Current rate	10%	20%	30%	40%	50%	60%	70%	80%	90%	100%	95~105%

* 1~10Vdc adjust output current

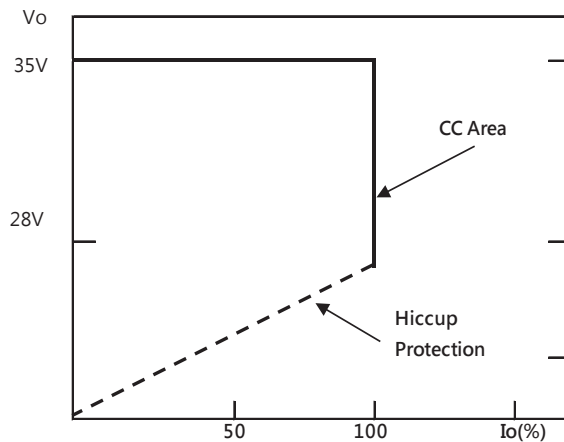
Vdc	1V	2V	3V	4V	5V	6V	7V	8V	9V	10V	OPEN
Rated Current rate	10%	20%	30%	40%	50%	60%	70%	80%	90%	100%	95~105%

* 10V PWM adjust output current ; Frequency range 100Hz~3KHz

Duty	10%	20%	30%	40%	50%	60%	70%	80%	90%	100%	OPEN
Rated Current rate	10%	20%	30%	40%	50%	60%	70%	80%	90%	100%	95~105%

LED Output curve(MDC-240-7000)

The characteristic of LED Driver is constant current(CC),
Drive mode is constant current.



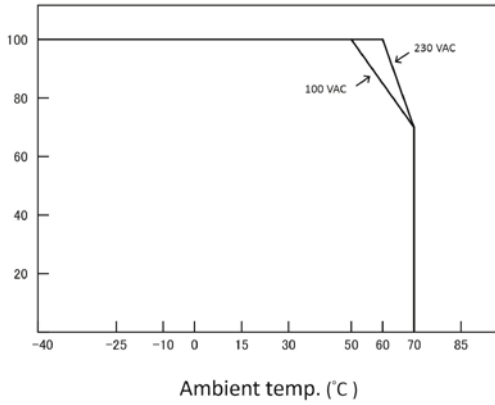
LED Driver I-V Curve

MDC-240 SERIES:

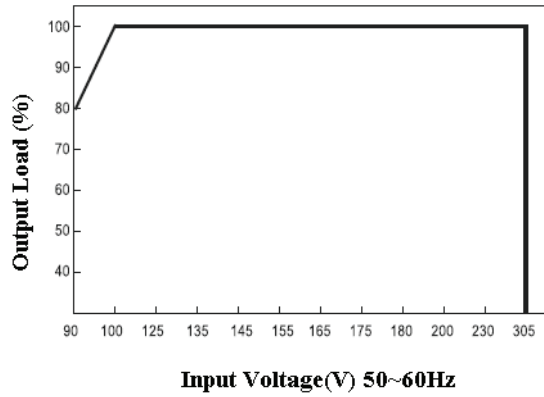
CHARACTERISTIC CURVES

Output Load De-rating Curve

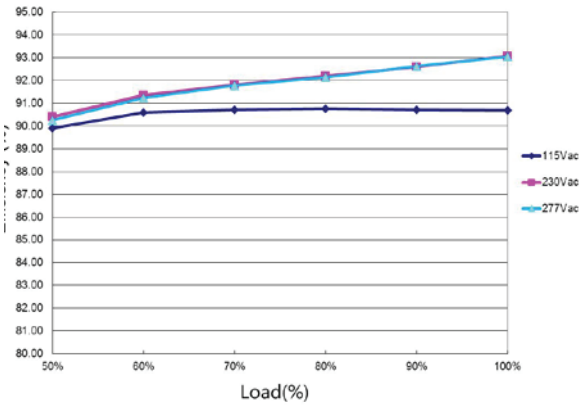
Temperature-De-rating curve



Input Voltage-De-rating curve



Efficiency Vs Load(MDC-240-7000)



Power Factor Vs Load(MDC-240-7000)

