

HDC202P SERIES:



205 Watt Quad Output Models

- 6.76 x 3.74 x 0.79"

Features:

- 205 Watt Half Width / 3U x 4HP Package
- 16.6~36 VDC Input Range
- Wide Operating Temperature
- Internal OR'ng Diodes for N+1 Redundant Operation
- Active Current Sharing
- PICMG Compliant
- International Safety Approvals
- 2 Year Warranty

INPUT:

Input Voltage	16.6~36 VDC
Inrush Current	132A (300µs) at 24V Nominal
Input Current	11A @ 24VDC Nominal
UVP/OVP	Installed
Reverse Input Protection	Installed

GENERAL:

Efficiency	81% minimum (24Vin / Full Load)
Operating Temperature	-40 to 85°C, derate linearly to 60% Load from 50°C to 70°C and to 40% at 85°C
Storage Temperature	-40 to +85°C
Cooling	800 lfm airflow airflow required for full load
Operating Humidity	5-90% RH, Non-Condensing
Vibration	5 ~ 50 Hz, acceleration 7.35 m/s*s on X,Y and Z Axis

OUTPUT:

Adjustment Range	available for V1, V2 & V3
Minimum Load	1 Amp on V1 (+5V) only
Load Regulation	V1 = ±1% / V2 = ±5% (max)
Line Regulation	±1~3% (Typical)
Ripple & Noise	±1% typ. pk-pk @ 20MHz
Overload Protection	120-130% of max power (Hiccup Mode)
Over Voltage	Latching before 130% of nominal
Short Circuit Protection	Trip without damage & auto-recovery
Transient Response	<250mV, recovers <500µs following a 50% load change Turn-on & off overshoot < 5% over nominal voltage

APPROVALS:

Emissions	EN55022 "A"
Safety Approvals	IEC 60950 Class I

STATUS & CONTROL:

Remote Sense	Available for V1, V2 & V3
Fault	Included
Current Share	Available for V1, V2 & V3
Remote on/off	Included
Thermal Sensing	Thermostat Connection

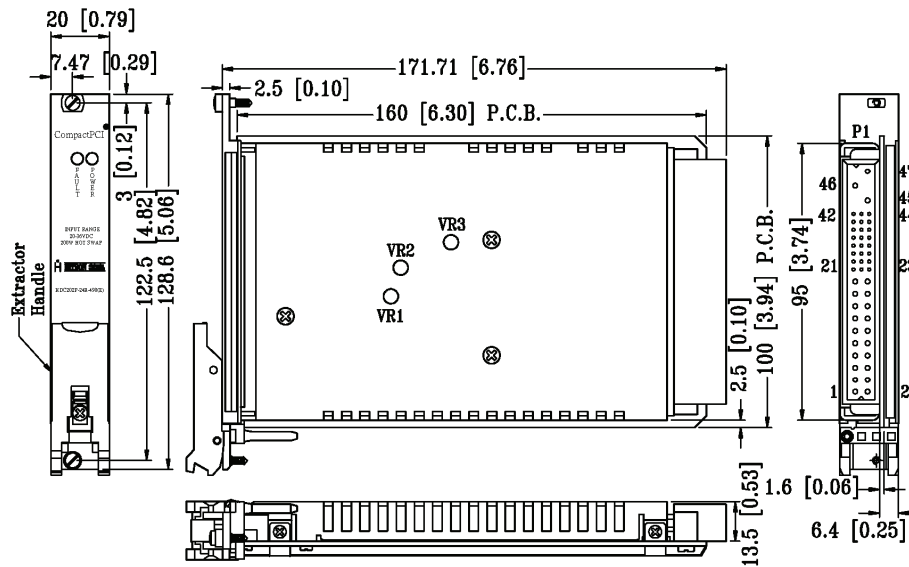
HDC202P SERIES:

Output Specifications:

Active PFC	V1	TYP	MIN	MAX	PEAK	V2	TYP	MIN	MAX	PEAK	V3	TYP	MIN	MAX	PEAK	V4	TYP	MIN	MAX	PEAK
HDC202P-24B-490(E)	5V	20A	1.0A	25A	28A	3.3V	10A	-	20A	25A	+12V	5A	-	5.0A	5.5A	-12V	1.0A	-	1.0A	1.5A

Max. load is the continuous operating load of each rail. But the max. load of each rail can't be drawn from all outputs at the same time.
Peak loads not to exceed 10% duty cycle or 60 seconds

ENVELOPE DRAWING:



INPUT & OUTPUT CONNECTORS PIN ASSIGNMENT

ASSIGNMENT	PIN NO.
-Vin	47
+Vin	46
GND	45
VO1	1,2,3,4
VO2	13,14,15,16,17,18
VO3	20
VO4	21
DC COM	5,6,7,8,9,10,11,12,19,24
VO1 +Remote Sense	30
VO2 +Remote Sense	33
VO1/VO2 -Remote Sense	34
VO3 +Remote Sense	36
VO1 CS	35
VO2 CS	41
VO3 CS	44
EN#	27
DEG #	38
INH #	39
FAL #	42

Mating connector: PCIH47F400A1

DERATING CHART

