

## GMPU06 SERIES:



### 6 Watts / Single Output

- 2.60 x 1.89 x 1.26" North American Wallmount Package
- 2.60 x 42 x 1.26" European Wallmount Package
- 2.94 x 1.33 x 2.38" Australian Wallmount Package
- 2.83 x 1.32 x 2.28" UK Wallmount Package

### Features:

- Universal AC Input (90~264 VAC Input Range)
- Over Voltage / Current / Temperature Protection Circuits
- International Safety Approvals for Medical Applications
- No Load Power Consumption <0.3W
- Meets Level V Efficiency Standards
- Meets IEC60601-1-11 MOP (Health Care Applications)
- Risk Analysis Report available
- Class B Emissions
- 2 Year Warranty

### INPUT:

Input Voltage	90~264 VAC (Universal AC Input)
Input Frequency	47-63Hz
Inrush Current	30A @ 230 VAC (Max Cold Start)
Input Current	180mA maximum
Input Protection	Dual Fuse
Hold-Up Time	8ms Minimum
Leakage Current	100µA @ 240 VAC Maximum
Harmonics	EN61000-3-2 Compliant

### GENERAL:

Efficiency	68-74% minimum (depending on output model)
Operating Temperature	0-40°C, derate linearly to 50% Load at 50°C
Storage Temperature	-40°C to +70°C
Cooling	Convection Cooled
Operating Humidity	5-95% RH, Non-Condensing
Vibration	5 ~ 50 Hz, acceleration 7.35 m/s*s on X,Y and Z Axis
MTBF	>100k Hrs at 25°C Full load

### OUTPUT:

Minimum Load	n/a
Line Regulation	±1% max
Load Regulation	±5% max
Ripple & Noise	80-200mV. pk-pk (depending on output model)
Overload Protection	Auto-Recovery
Over Voltage	115~150% of nominal (latching)

### EMC:

Electrostatic Discharge	EN61000-4-2, ±4KV Contact / ±8KV Air Discharge
Radiated Susceptibility	EN61000-4-3, 26-1000MHz, 10V/M, 80% AM
EFT / Bursts	EN61000-4-4, ±2KV
Surges	EN61000-4-5, ±2KV Line-Earth, ±1KV Line-Line
Conducted Immunity	EN61000-4-6, 0.15-800MHz, 10V, 80% AM
Voltage Dips	EN61000-4-100, 95% Dip & 10ms, 30% Dip & 500ms
Voltage Interruptions	EN61000-4-11, 95% reduction, 5s
Fluctuations & Flicker	EN61000-3-3

### APPROVALS:

Emissions EN55011 Class B

Safety Approvals UL:EN60601-1: 2005  
 CSA: C22.2 NO.60601-1:2008  
 EN60601-1:2006  
 CE Mark (LVD)



## GMPU06 SERIES:

### Output Specifications:

Model:	Vout	Factory Setpoint Range	Max Output Current	Max Ripple	Efficiency
GMPU06x-11-5V	5V	-	1200mA	80mV	68.2%
GMPU06x-1-6V	6V	5 ~ 6V	1000mA	80mV	69.5%
GMPU06x-1-1-7.5V	7.5V	6 ~ 8V	800mA	80mV	74%
GMPU06x-2-9V	9V	8 ~ 11V	667mA	80mV	74%
GMPU06x-3-12V	12V	11 ~ 13V	500mA	120mV	74%
GMPU06x-4-15V	15V	13 ~ 16V	400mA	120mV	74%
GMPU06x-5-19V	19V	16 ~ 21V	316mA	120mV	74%
GMPU06x-6-24V	24V	21 ~ 24V	250mA	120mV	74%

- Consult Factory for any unique voltage requirement
- Designate wallmount package by replacing "x" with:

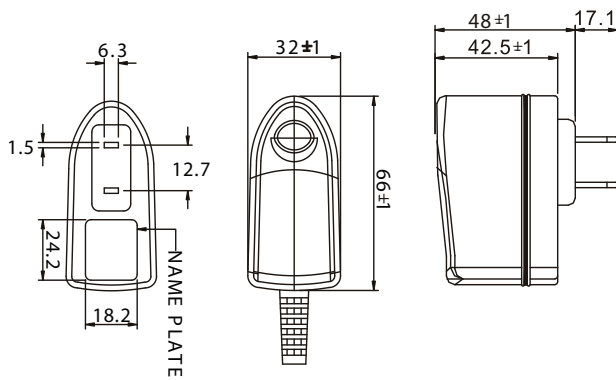
U = North American  
E = European

S = 3 Pin  
BS = UK

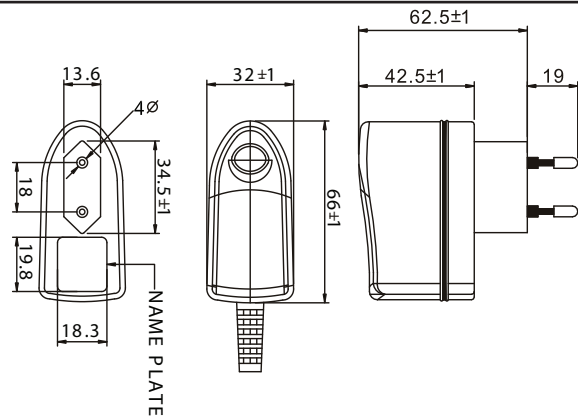
SA = 2 Pin Australian

- Additional suffix to designate output connector is required, see connector options at <http://advpower.com/dcconnector.pdf>
- Weight: Approx 70~100g
- Level V Standard Output cable lengths, 5~12V: 22AWG / UL2468 / 4FT. 12~24V: 24AWG / UL2468 / 6FT

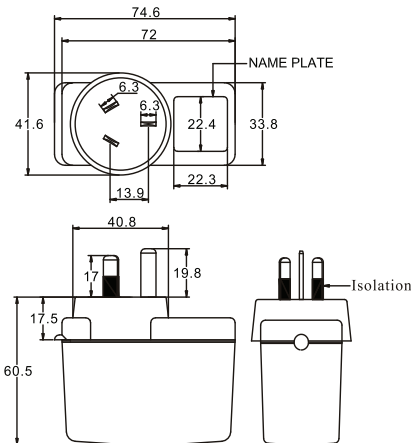
U = North American Wallmount Package



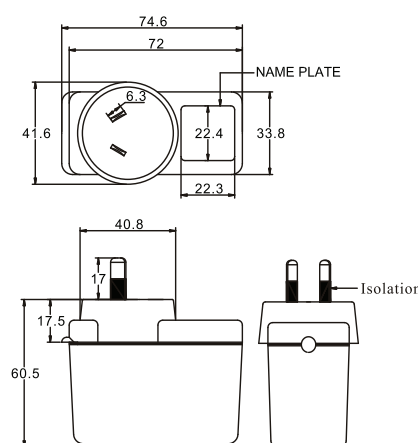
E = European Wallmount Package



S = 3-Pin Australian Wallmount Package



SA = 2-Pin Australian Wallmount Package



BS = UK Wallmount Package

