

DPC-1000 SERIES:



1,000 Watt / Single Output

- 11.14 x 5.00 x 1.61" Enclosed with Fan Package

Features:

- Universal AC Input
- 0~105% Voltage & Current Adjustment Range
- Current Share Function
- Constant Current Limit
- 5V @ 0.5A Aux Output
- Overload / OverVoltage / Short Circuit Protection
- Power OK Signal
- Remote On/Off, Remote Sense Functions
- 1-Year Product Warranty

INPUT:

Input Voltage	90~264 VAC (Universal AC Input)
Input Frequency	47-63Hz
Input Current	12A maximum at 115VAC
Inrush Current	27A @ 115VAC
Input Protection	Single Fuse
Hold-Up Time	16ms Minimum
Harmonics	EN61000-3-2 Class A Compliant
Leakage	1ma@ 240VAC max

GENERAL:

Efficiency	87-90%
Operating Temperature	-25 to +70°C, derate 2.5% / °C above 50°C
Storage Temperature	-40°C to +85°C
Cooling	Convection Cooled
Operating Humidity	5-95% RH, Non-Condensing
Vibration	10~500Hz, 2G 10min./1cycle, 60min. each along X, Y, Z axes.
MTBF	>148k Hrs (according to MIL-HBK-217F) at 25°C

OUTPUT:

Minimum Load	n/a
Output Adjustment	0-105% (typical)
Line Regulation	±1% max
Load Regulation	±1% max
Ripple & Noise	±1% typ. pk-pk @ 20MHz
Overload Protection	Auto-Recovery
Over Voltage	Auto-Recovery
Short Circuit Protection	Auto-Recovery

STATUS / CONTROL

AUX Power	5V @ 0.5A Aux Output
Remote Sense	250mV Compensation
Remote On/Off	Included
DC OK	Included
Parallel Operation	Forced Current Sharing
Voltage Program	0-105% of Rated Voltage
Current Program	0-105% of Rated Current

APPROVALS:

Emissions EN55022 "B", FCC Part 15 Subject J Class B

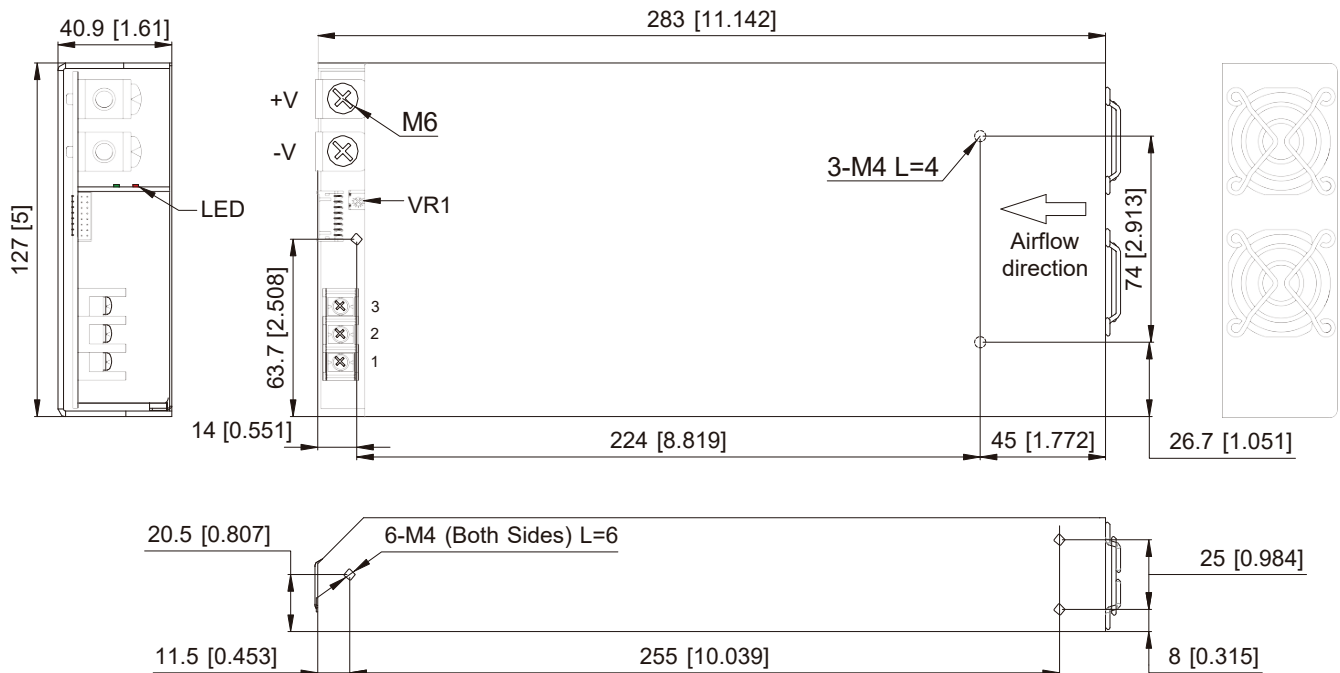
Safety Approvals UL/cUL EN60950-1
EN 60950-1
CB IEC 60950-1
CE Mark (LVD)



DPC-1000 SERIES:

Output Specifications:

Model:	V1	OUTPUT CURRENT	EFFICIENCY
DPC-1000-12	12V	62A	87%
DPC-1000-15	15V	50A	88%
DPC-1000-24	24V	40A	89%
DPC-1000-27	27V	37A	89%
DPC-1000-48	48V	21A	90%



AC Input Terminal Pin No. Assignment

Pin No.	Assignment
1	ACL
2	ACN
3	⊥

Control pin number assignment (CN9): JST S16B-PHDSS or equivalent

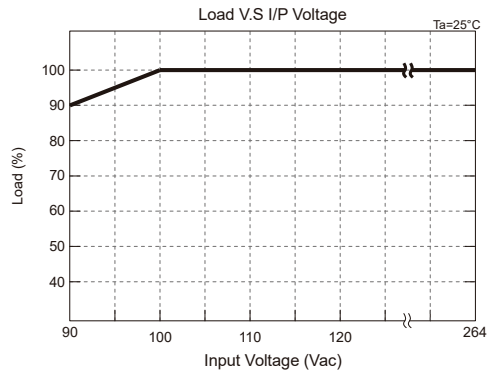
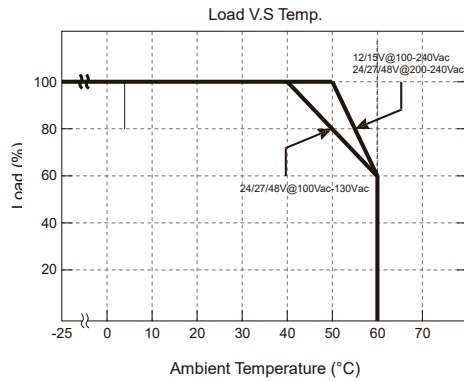
Pin No.	Function	Description
1	VS+	Remote voltage sense (+)
2	VO+	Local output voltage sense (+)
3	VS-	Remote voltage sense (-)
4	VO-	Local output voltage sense (-)
5,6	AUX	+5V / 0.5A Auxiliary power
7	EN+	Remote ON/OFF (+)
8,10,12,14	GND	Ground
9	EN-	Remote ON/OFF (-)
11	P.OK	Power OK
13	VCI	V Program
15	PAR	Parallel operation current share
16	ACI	I Program

DPC-1000 SERIES:

LED Status:

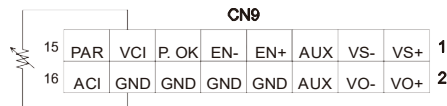
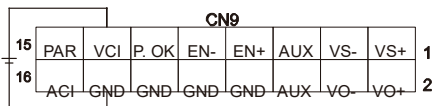
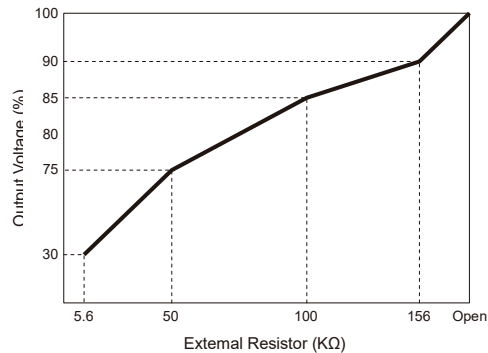
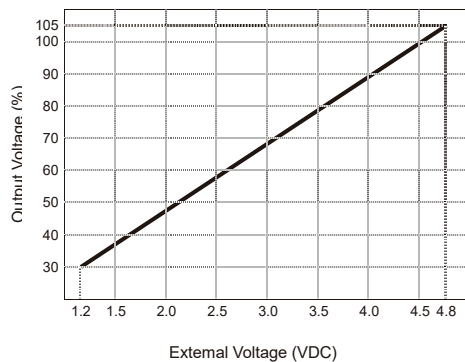
Green LED	LED Signal	Status
Solid		Power OK
Slow Blink		Power Standby
Red LED	LED Signal	Status
Fast Blink		Over Voltage Protection (OVP)
Solid		Over Load Protection (OLP)
		Output Short Circuit Protection (SCP)
		Under Voltage Protection (UVP)
Slow Blink		Over Temperature Protection (OTP)
Intermittent Blink		Fan Failure
Interlace Blink		Power Failure

De-rating Curve:



Function Manual:

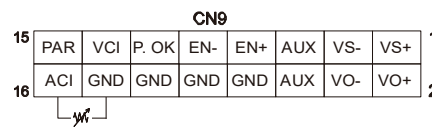
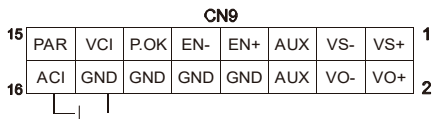
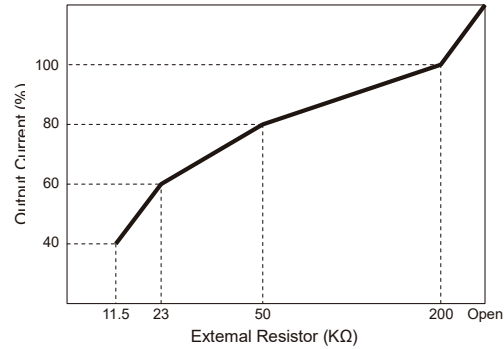
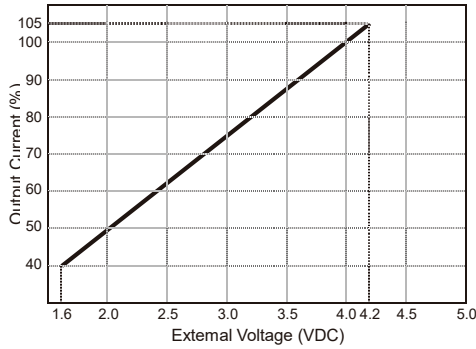
1. Output Voltage Trim



REV. D8
13/09/09

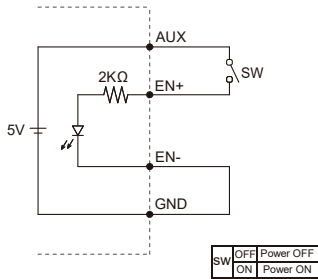
DPC-1000 SERIES:

2. Output Current Trim (For Reference Only)



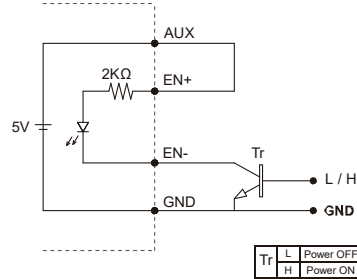
3. Remote ON/OFF

(A)



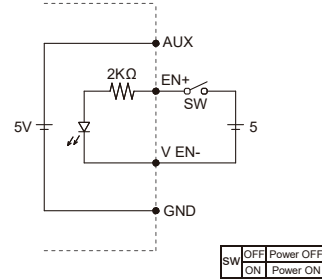
(A) Using internal 5V auxiliary source

(B)



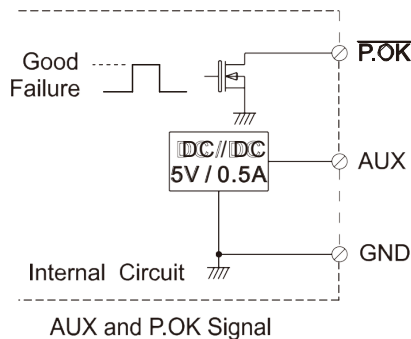
(B) ON / OFF Control by NPN transistor

(C)



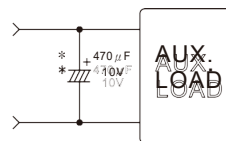
(C) Using external voltage source

4. Power OK Signal



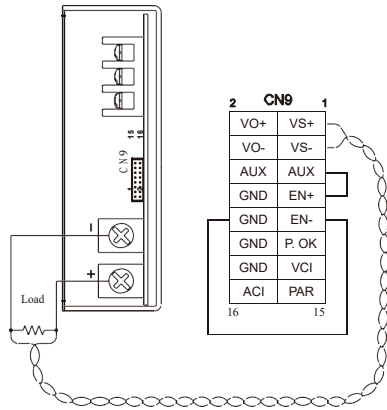
*Place an additional capacitor to have a better performance of auxiliary power operation.

*The grounding of "AUX" power should be connected to "GND" port. If "V-" is connected as Grounding, make sure to short the GND and V- ports.

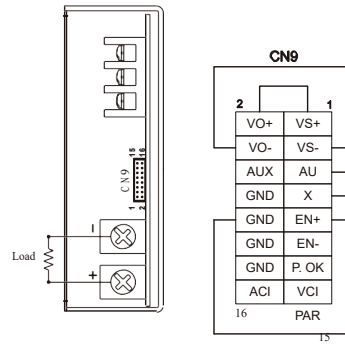


DPC-1000 SERIES:

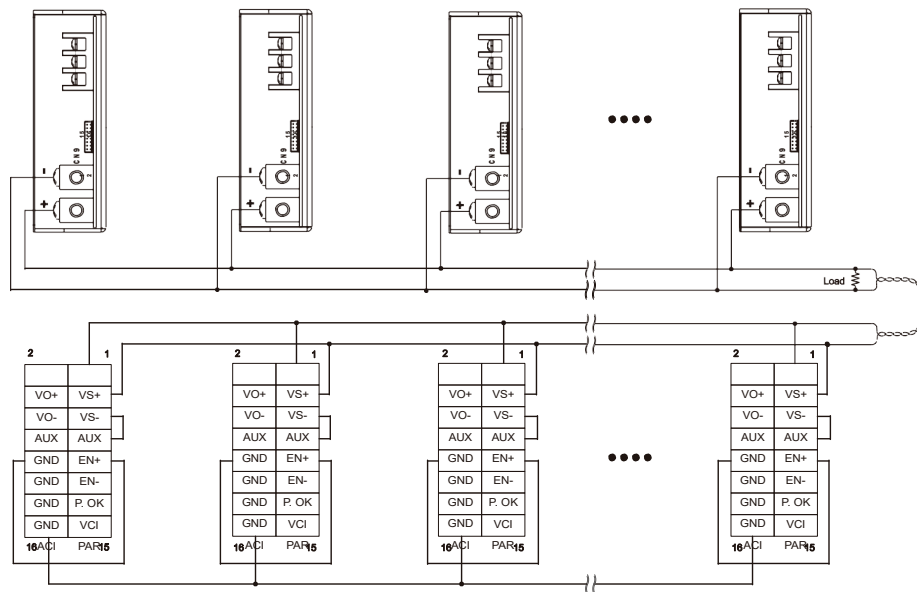
5. Remote Sense



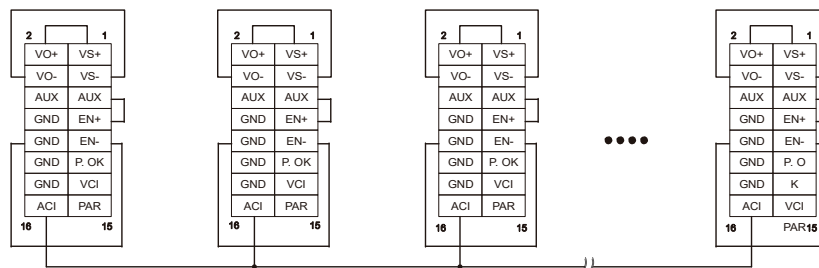
6. Local Sense



7. Current Sharing with Remote Sensing



8. Current Sharing with Local Sensing

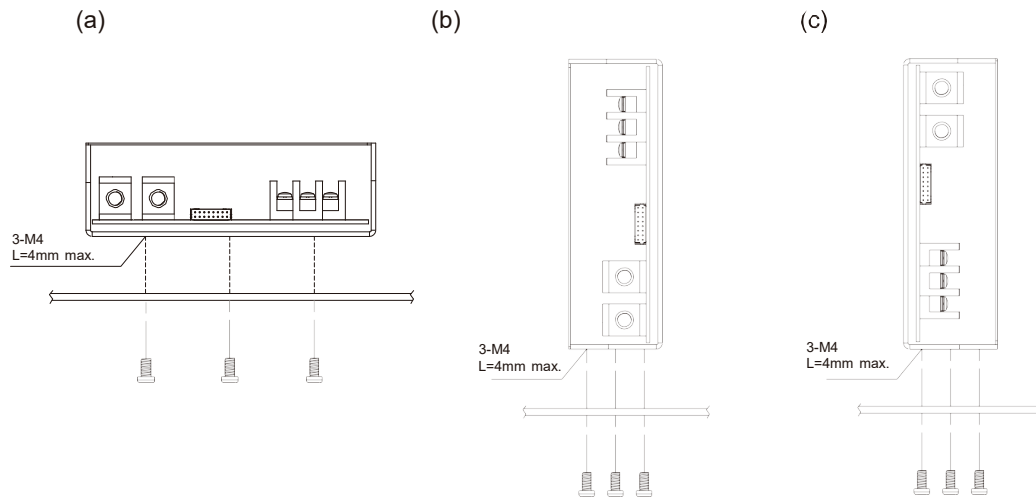


DPC-1000 SERIES:

■ Installation Instruction:

1. Mounting Directions

1-1 Recommended standard mounting methods:



2. Mounting Method

2-1 There are ventilating holes on the front and back side panels, do not obstruct; allow 50mm at least for air flow.

2-2 The Maximum allowable penetration of screw is 4mm.
Incomplete threading should not be penetrated.

2-3 Recommended the torque of mounting screw:
M4 screw: 1.27N · m (13.0kgf · cm)

