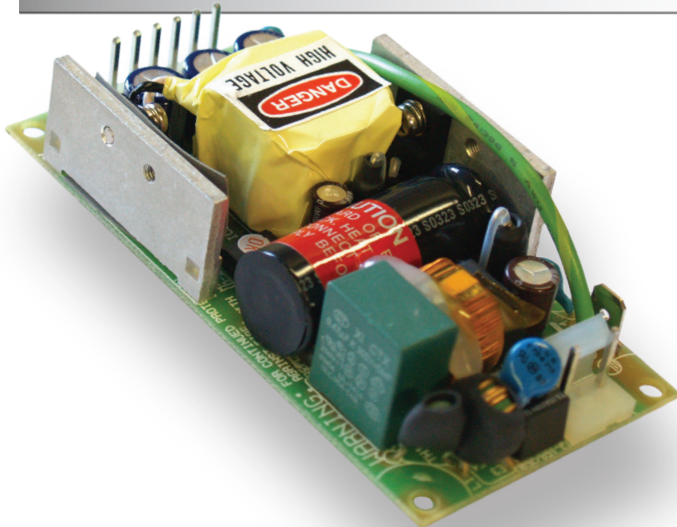


## APS50MIG SERIES:



### 50 Watt Switcher

- 4.00 x 2.00 x 0.89" Open Frame PCB

#### Features:

- Universal AC Input
- Ultra-Low Profile of only 0.89"
- Convection Cooled Operation
- No-Load Power Consumption less than 0.3W
- Medical & ITE Safety Approvals
- 2 Year Warranty

#### INPUT:

Input Voltage	Universal Input (90~264 VAC)
Input Frequency	47-63Hz
Inrush Current	10ArmsA @ 240 VAC Cold Start (max)
Input Current	0.7A @ 115 VAC 0.4A @ 230VAC (max continuous)
Input Protection	Dual Fuse
Hold-Up Time	11.2mS @ 115 VAC / 72mS @ 230 VAC
Leakage Current	<200µA @ 230 VAC Maximum

#### GENERAL:

Efficiency	83~90% minimum
Operating Temperature	-20°C to +50°C Full Load, derate 2.5%/°C from 50°C to 70°C
Storage Temperature	-25°C to +85°C
Over-Temp Protection	>85°C Shutdown (Ambient)
Cooling	Convection Cooled
Operating Humidity	5-90% RH, Non-Condensing
Vibration	5 ~ 50 Hz, acceleration 7.35 m/s*s on X,Y and Z Axis
MTBF	>100k Hrs (according to MIL-HBK-217F) at 30°C

#### OUTPUT:

Adjustment Range	Fixed at Factory
Minimum Load	None
Regulation	±1.5% Load / ±0.1% Line
Ripple & Noise	±1% typical pk-pk @ 20MHz
Overload Protection	125-150% of max power (Hiccup Mode)
Over Voltage	Latching before 130% of nominal
Short Circuit Protection	Continuous (auto-recovery)
Overshoot	Turn-on & off overshoot < 5% over nominal voltage

#### APPROVALS:

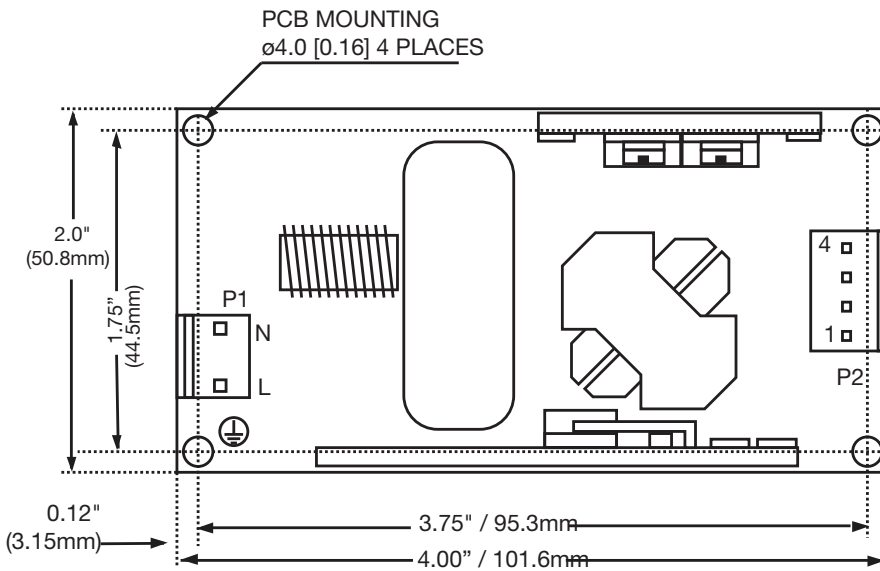
Emissions	EN55022 "B", FCC Part 15 Subject J Class B
Safety Approvals	UL/cUL 60950-1 UL/cUL 60601-1, 3rd Edition CE Mark (LVD)

## APS50MIG Series:

### Output Specifications:

Model:	V1	A1
APS50MIG-033600	3.3V	6.00A
APS50MIG-050600	5.0V	6.00A
APS50MIG-120416	12V	4.16A
APS50MIG-150340	15V	3.40A
APS50MIG-240210	24V	2.10A
APS50MIG-360140	36V	1.40A
APS50MIG-480105	48V	1.05A

### OUTLINE DRAWING:



### Connectors / Pin Assignments

Mating Connector is Molex 5195 / 5239 Series

#### INPUT CONNECTION:

Pin	Function
P1-L	LINE
P1-N	NEUTRAL

#### OUTPUT CONNECTION:

PIN	DESCRIPTION
P2-1	-V1 OUT
P2-2	-V1 OUT
P2-3	+V1 OUT
P2-4	+V1 OUT

