

A2-50 SERIES:



50 Watt Desktop Switcher

- 3.94 x 2.28 x 1.30" Desktop Package

Features:

- Level VI Compliance for Green Applications
- No-Load Input Power < 0.3W
- High Efficiencies > 87%
- Class I or Class II Safety Approvals
- Universal AC Input
- Compact Size
- International Safety Approvals
- 2 Year Warranty

INPUT:

Input Voltage	Universal Input (90~264 VAC)
Input Frequency	47-63Hz
Input Current	0.8 (max continuous)
Input Protection	Single Fuse
Hold-Up Time	10mS , Full Load (minimum)
Leakage Current	Class I <3500µA @ 240 VAC Maximum Class II < 250µA @ 240 VAC Maximum

GENERAL:

Efficiency	87% minimum
Operating Temperature	0°C to +40°C Full Load, derate5%/°C from 40°C to 50°C
Storage Temperature	-40°C to +85°C
Cooling	Convection Cooled
Operating Humidity	5-90% RH, Non-Condensing
Vibration	5 ~ 50 Hz, acceleration 7.35 m/s*s on X,Y and Z Axis
MTBF	>40k Hrs minimum @ 25°C ambient

OUTPUT:

Adjustment Range	Fixed at Factory
Minimum Load	None
Regulation	±5% Load / ±2% Line
Ripple & Noise	250mV max pk-pk @ 20MHz
Overload Protection	125-150% of max power (Hiccup Mode)
Over Voltage	Latching before 130% of nominal
Short Circuit Protection	Continuous (auto-recovery)

APPROVALS:

Emissions	EN55022
Safety Approvals	TUV EN60950-1 LPS CE Mark (LVD)

A2-50 Series:

Output Specifications:

Model:	V1	A1
A2-50S12R-X-12#@	12V	4.16A
A2-50S12R-X-13.5#@	13.5V	3.70A
A2-50S12R-X-15#@	15V	3.33A
A2-50S18R-X-18#@	18V	2.77A
A2-50S18R-X-19#@	19V	2.63A
A2-50S18R-X-20#@	20V	2.50A
A2-50S18R-X-24#@	24V	2.08A

* Designate desired AC Inlet option by replacing X with one of the following Options:

V = IEC-320 C14

U = IEC-30 C8

W = IEC-320 C6

* Designate Class I or Class II Safety Approvals by replacing # with

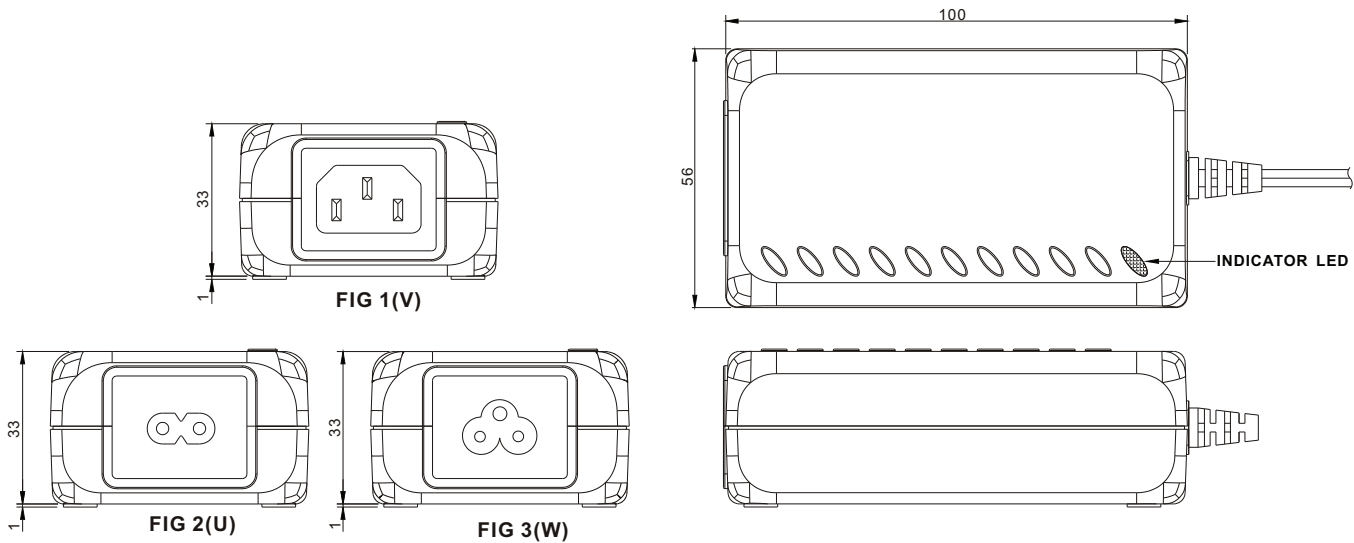
A= Class I

B = Class II

* Designate Output Connector by replacing @ with connector designation as defined by the DC Connector Options document located here:

<http://www.advancedpowersolutions.com/images/prod/pdfs/connectors.pdf>

OUTLINE DRAWING:



WEIGHT: 250g