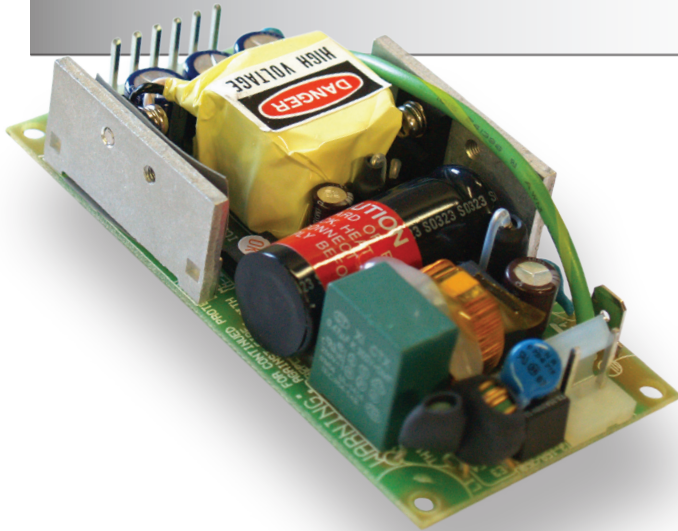


## APS63MI SERIES:



### 45~80 Watt Switcher

- 4.00 x 2.00 x 0.92" Open Frame PCB

#### Features:

- Universal AC Input
- EN61000-3-2 Class B Compliant
- Medical Safety Approvals UL/EN 60601-1
- 2 Year Warranty

#### INPUT:

Input Voltage	Universal Input (90~264 VAC)
Input Frequency	47-63Hz
Inrush Current	12.00ArmsA @ 240 VAC Cold Start
Input Current	0.9A (max continuous)
Input Protection	Dual Fuse
Hold-Up Time	11.2mS @ 115 VAC / 72mS @ 230 VAC
Leakage Current	<100µA @ 230 VAC Maximum

#### GENERAL:

Efficiency	80~90% minimum
Operating Temperature	0-40°C Full Load, derate 1.3W/°C from 40°C to 50°C
Storage Temperature	-20°C to +85°C
Over-Temp Protection	>85°C Shutdown (Ambient)
Cooling	5 cfm Airflow
Operating Humidity	5-90% RH, Non-Condensing
Vibration	5 ~ 50 Hz, acceleration 7.35 m/s*s on X,Y and Z Axis
MTBF	>100k Hrs (according to MIL-HBK-217F) at 30°C

#### OUTPUT:

Adjustment Range	Fixed at Factory
Minimum Load	V1only ( ±10)
Regulation	V1 = ±1%, V2 = ±3~8% , V3 = ±5% max
Ripple & Noise	±1% typical pk-pk @ 20MHz
Overload Protection	115-140% of max power (Hiccup Mode)
Over Voltage	Latching before 130% of nominal (V1 only)
Short Circuit Protection	Trip without damage & auto-recovery
Overshoot	Turn-on & off overshoot < 5% over nominal voltage

#### APPROVALS:

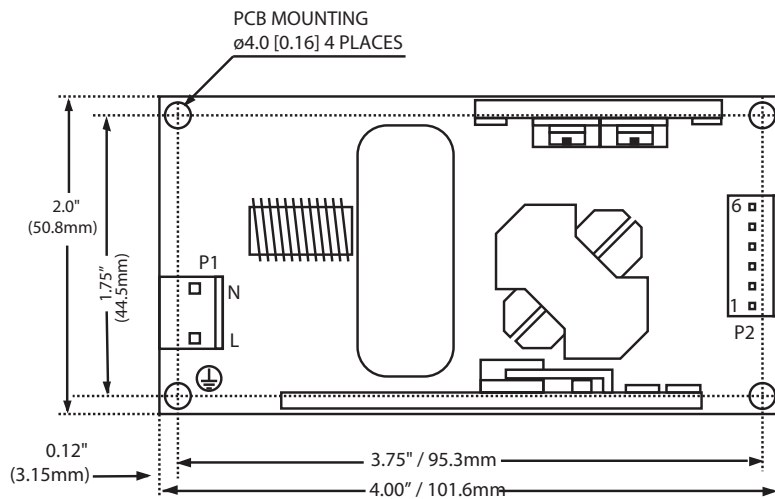
Emissions	EN55022 "B", FCC Part 15 Subject J Class B
Safety Approvals	cTUVus EN60950-1 CE Mark (LVD)

## APS63MI Series:

**Output Specifications:**

Model:	V1	A1	V2	A2	V3	A3	Max Power Convection	Max Power with 5 CFM Airflow
APS63MI-S033100	3.3V	10A					25W	33W
APS63MI-S050100	5.0V	10A					30W	50W
APS63MI-S120050	12V	5.00A					40W	65W
APS63MI-S150040	15V	4.00A					40W	65W
APS63MI-S240025	24V	2.50A					40W	65W
APS63MI-S480125	48V	1.25A					40W	65W
APS63MI-21	+5V	4A	+12V	3.5A			40W	65W
APS63MI-T050II *	+5V	8A	+12V	3.0A	-12V	0.5A	40W	65W
APS63MI-T050MI *	+5V	8A	+24V	1.5A	-12V	0.5A	40W	65W
APS63MI-T050KK *	+5V	8A	+15V	2.5A	-15V	0.5A	40W	65W
APS63MI-T033EI **	+3.3V	8A	+5V	3A	-12V	0.5A	30W	48W

**OUTLINE DRAWING:**



**Connectors / Pin Assignments**

Mating Connector is Molex 5195 / 5239 Series

**INPUT CONNECTION:**

Pin	Function
P1-L	LINE
P1-N	NEUTRAL

**OUTPUT CONNECTION:**

PIN	--- FUNCTIONS ---	
	SINGLES	TRIPLES
P2-1	V1 OUT	V1 OUT
P2-2	V1 OUT	V1 OUT
P2-3	DC COM	DC COM
P2-4	DC COM	DC COM
P2-5	-	V3 OUT
P2-6	-	V2 OUT

